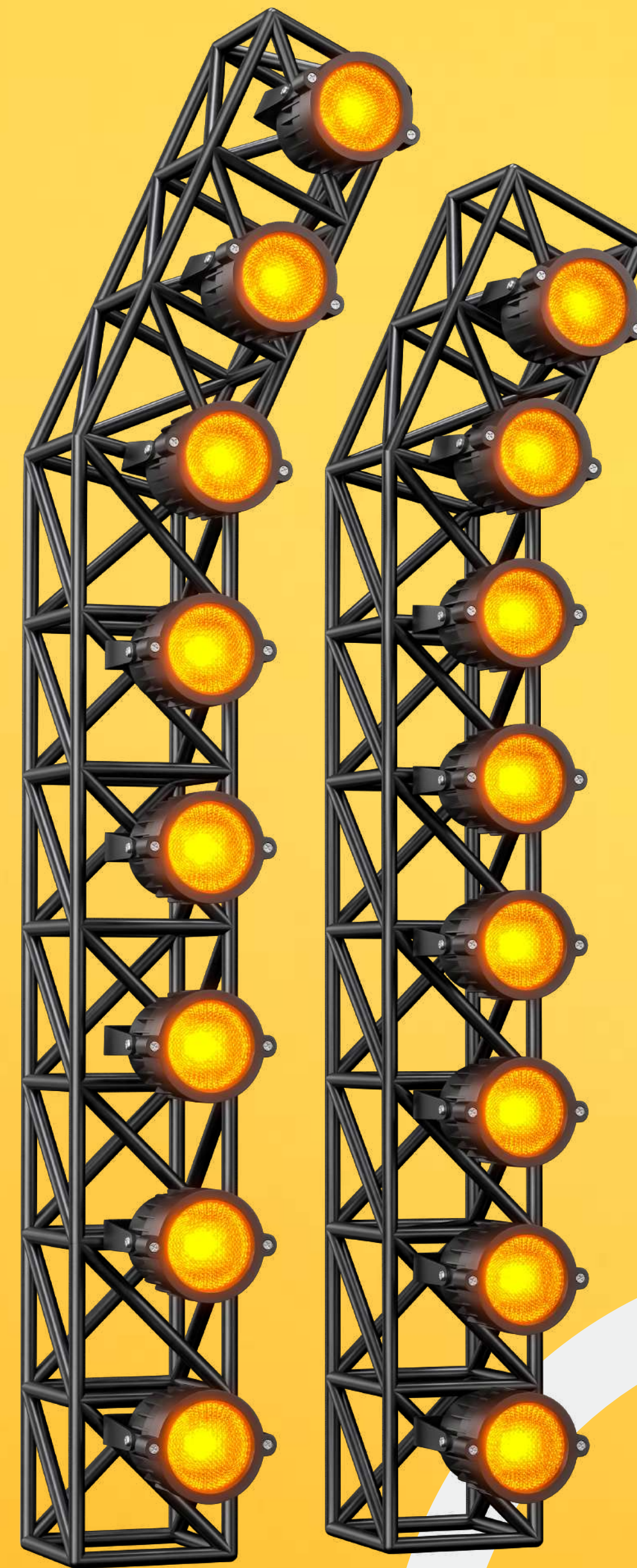


# Rigging & Power



**APEX**  
EVENTS

# SUPER MEGA TRUSS 24M X 24 X 15M



## S950 HEAVY DUTY TRUSS

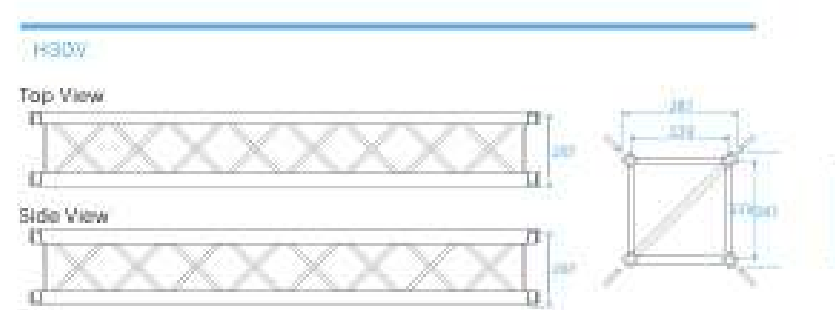
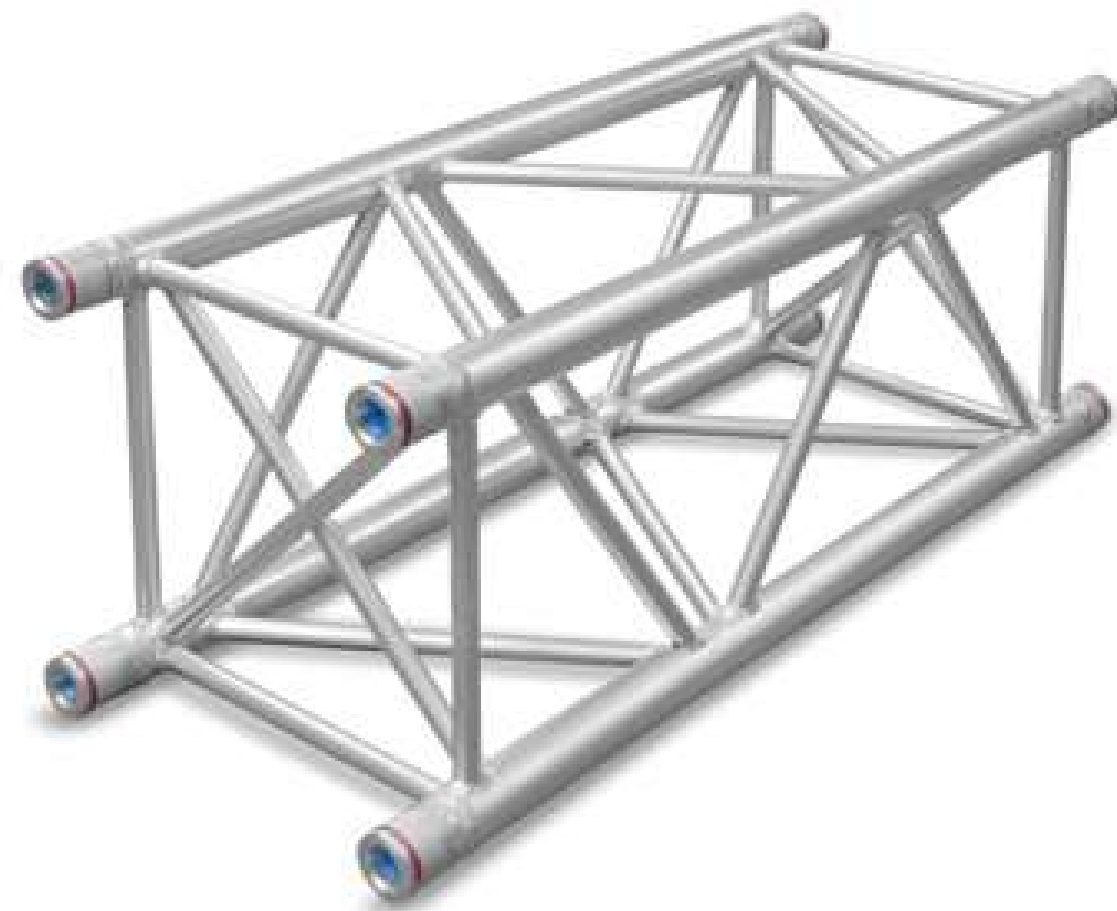


The S950 rectangular truss designed as a heavy-duty truss system. This system is connected via a special conical connector with excellent strength and stability, creating optimal traction, convenient for assembly and collection. All the tubes and connectors welding through the mould of semi-automatic, the finished products are fixed in the standard mould welding can be guarantee the accuracy of truss. In any conditions connect smoothly. This item approved the TÜV certificate by Germany.

Ordercode	Length	Dimension	CBM	N.W.
TDP-R0105	1.0m	L108xW68xH115cm	0.745m <sup>3</sup>	26.5kg
TDP-R0205	2.0m	L208xW68xH115cm	1.435m <sup>3</sup>	46.8kg
TDP-R0305	3.0m	L308xW68xH115cm	2.125m <sup>3</sup>	63.0kg
TDP-R0405	4.0m	L408xW68xH115cm	2.815m <sup>3</sup>	87.5kg

- 8 x ST tower base section
- 8 x ST tower top section
- 8 x ST to 52SV sleeve block for S52 truss
- 20 BOX-40-V box corner
- 8 x D75T dead hang mast section
- 8 x D75T to M145RV sleeve block sections
- 8 x BOX-M145V box corner
- 8 x D75T tower base section
- 8 x D75T tower top section

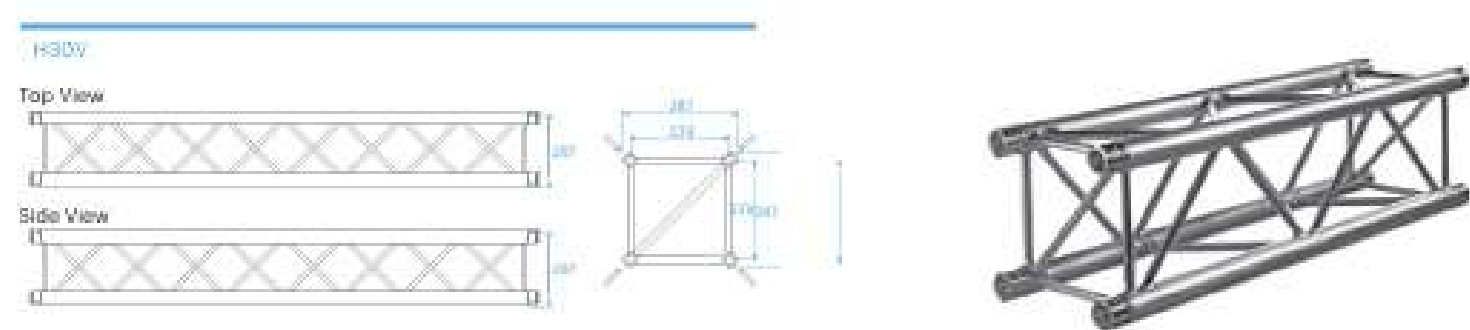
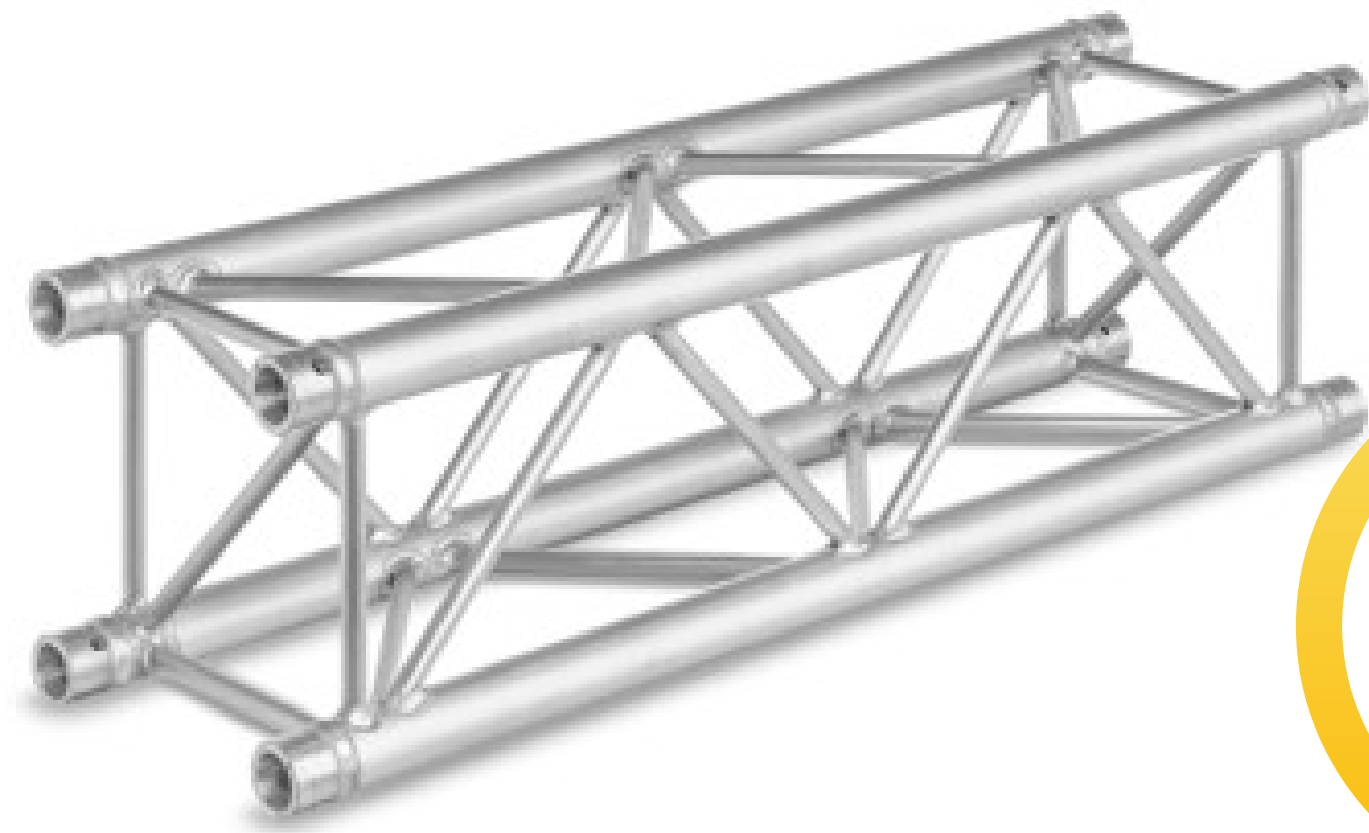
# 40 x 40 cm Square truss



- Events & Staging applications
- Trade show booths & Photocalls
- Theatres, Museums
- Decoration purposes (shop fitters, interior design...)
- Exhibition and conference centers
- Night clubs, TV sets & advertising displays

SPECIFICATIONS	TQN400XL
Dimensions	40 x 40 cm / 15.75 x 15.75in
Lengths	50 – 100 – 200 – 300 cm
Main tubes	Ø 50 x 3 mm
Braces/diagonals	Ø 25 x 2 mm
Coupling System	UTR-10 (included)
Material	Aluminium
Alloy	EN-AW 6082 T6

# 30 x 30 cm Square truss



- Light weight system
- Cross bracing
- Fast and easy assembly
- 4- point nondigestible application

<b>Length</b>	0.29m
<b>Weight</b>	0.29m
<b>Product Range</b>	H30V
<b>Condition</b>	New
<b>Brand</b>	Polyte
<b>Colour</b>	Silver

# H40V Square Circle Truss Dia 6M \ 4M



## Technical Specifications - H40 Series

<b>Alloy</b>	EN AW 6082 T6
<b>Main Tubes</b>	48 x 3 mm
<b>Braces</b>	20 x 2 mm
<b>Coupling System</b>	CCS6

## Technical Specifications - E20 Series

<b>Alloy</b>	EN AW 6060 T5
<b>Main Tubes</b>	32 x 1,5 mm
<b>Braces</b>	10 x 1,0 mm
<b>Coupling System</b>	CCS4

# Ladder Truss



## Aluminum lighting truss display 600mm U Frame Truss Modular U-shape Truss

NO	Item	Specification	Quantity
1	U Lighting Frame	U lighting frame-Bar with Ring length:600mm, Aluminium 6082-T6	1 pcs
2		U lighting frame-Bar with Ring Width:600mm Aluminium 6082-T6	5 pcs

Aluminum lighting truss is popular in events. You can choose to hang this structure or with stand this structure.

1. Hang type  
parts: u frame, bar A, bar B
2. Stand type  
parts: u frame, base stand

# CM LOADSTAR MOTOR



## CM LODESTAR

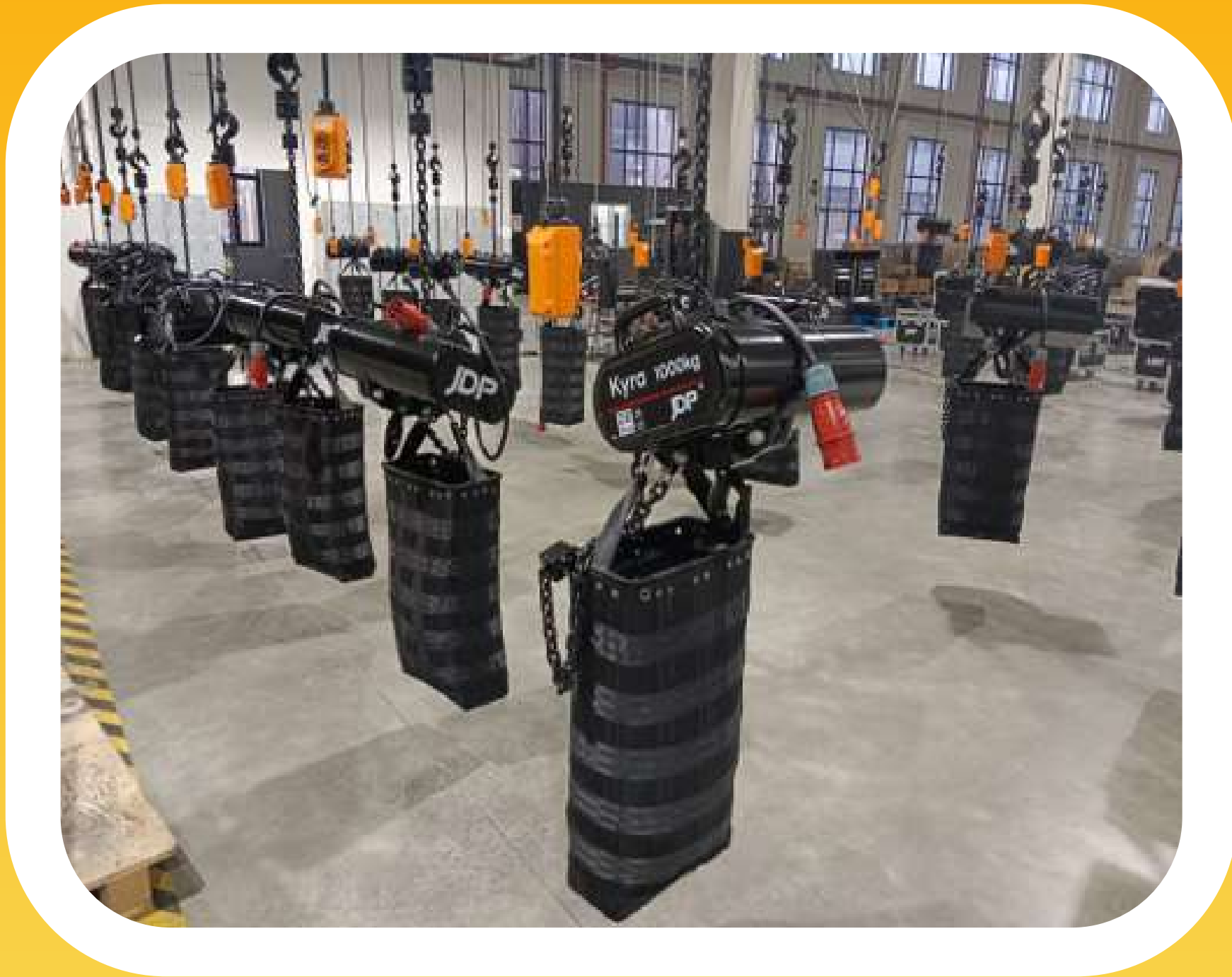
Applied is a master distributor of the CM Entertainment Lodestar chain motor. Our CM Lodestar chain motors come with a cut to length load chain and are wired to the clients' specifications. The Lodestar can be wired to run on 110v single phase or 208v three phase power and is supplied with either a 7-pin or dual twist-lock connector. Applied can also offer custom Lodestar motors in the range of 4-ton to 3-ton at 8 to 64 FPM, as well as single motor or dual motor road cases.

The CM Lodestar chain motor comes in standard load limits of either ½-ton or 1-ton, with -ton to 3-ton options. All Lodestar chain motors feature adjustable limit switches, overload protection, a lightweight housing, multiple disc motor brake, H4 duty rated for heavy-duty applications and a lifetime warranty. When a CM Lodestar is purchased, Applied will include carry handles, a heavy-duty chain bag, and cable pick ring. Applied is a CM certified service center and has a fully stocked CM motor parts department to offer a complete package for the lifetime of the motor.

## SPECIFICATIONS

- 4 to 3-ton capacity
- Available in D8, D8+ and BGV-C1 Series models
- Adjustable limit switches
- Cut to length zinc plated or black phosphate load chain
- Overload protection
- Lightweight cast aluminum housing
- Finger safe, easy access control panel
- H4 duty rated with 5:1 design ratio
- Multiple disc motor brake
- 110v single phase or 208v three phase wiring
- Multipin or dual twist-lock connectors
- Lifetime warranty

# JDP KYRA MOTOR D8+



# LOADCELL CONTROLLER SYSTEM JK-C 12 WAY



## LOADCELL



# MODE V6 ELECTRIC CHAIN HOIST MOTOR 2 TON



Mode V6 electric chain motor 2T version, with optional features such as load monitor, programming and smart pad controller.

## Features:

- Double electromagnetic brake system.
- Teflon-level painting technology, aviation aluminum, IP55 rating, light-weight but heavy-duty.
- 5 Tooth chain guide system, reduces chain jamming rate during working process.
- Oily gear box, lifetime guarantee.
- Alloy steel forging hook to better aggregate breaking force with protective cove

# MODE V6 ELECTRIC CHAIN HOIST MOTOR 1 TON



Mode V6 electric chain motor 1T version, with optional features such as load monitor, programming and smart pad controller.

## Features:

- Double electromagnetic brake system.
- Teflon-level painting technology, aviation aluminum, IP55 rating, light-weight but heavy-duty.
- 5 Tooth chain guide system, reduces chain jamming rate during working process.
- Oily gear box, lifetime guarantee.
- Alloy steel forging hook to better aggregate breaking force with protective cove.

## 24-way Electrical Hoist Chain Motor Controller with 19in Socapex



16 channels electrical hoist controller 3 phase:  
3-phase 5-wire system 380V (A.B.C) + Neutral +  
ground (PE),  
125A 5pin power input and output,  
16 channels 16A 4pin sockets 380V ,  
6x 19pin socapex outputs 220V,  
6x 16A 3pin sockets 220V for power supply,  
with switches breakers  
with signal link to connect another controller.  
rack case packed.

## 16- way Electrical Hoist Chain Motor Controller with 19in Socapex



16 channels electrical hoist controller 3 phase:  
3-phase 5-wire system 380V (A.B.C) + Neutral +  
ground (PE),  
125A 5pin power input and output,  
16 channels 16A 4pin sockets 380V ,  
6x 19pin socapex outputs 220V,  
6x 16A 3pin sockets 220V for power supply,  
with switches breakers  
with signal link to connect another controller.  
rack case packed.

# 4/8-way Electrical Hoist Chain Motor Controller



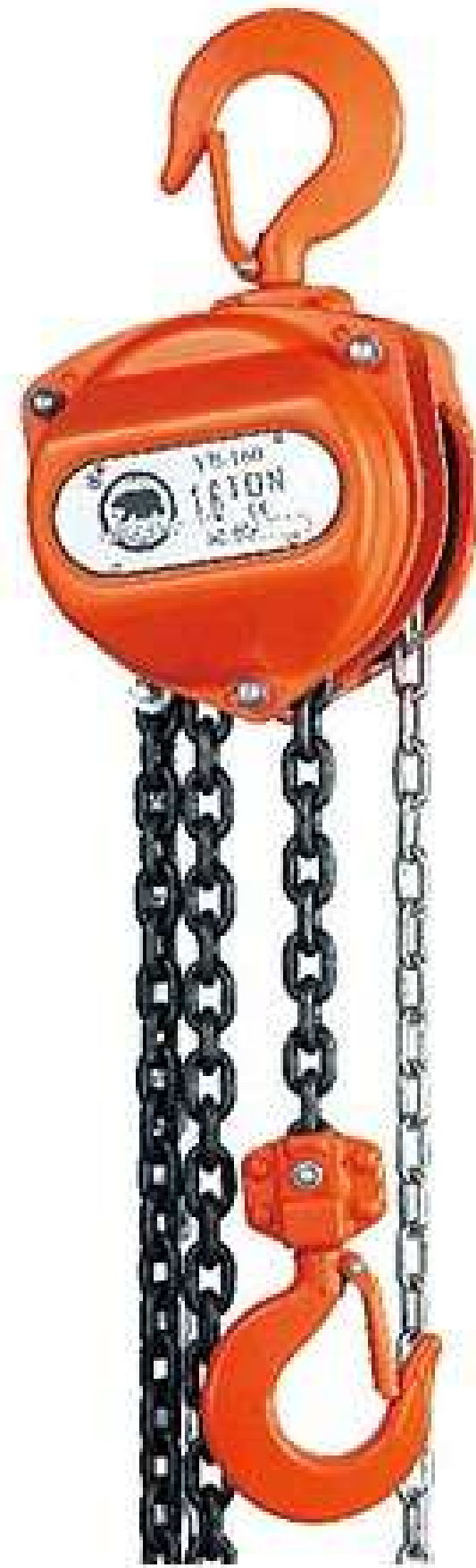
## 8-way Electrical Hoist Chain Motor Controller

- For chain hoist up to 1kW
- Phase monitoring
- Rotation field monitoring
- Main contactor monitoring
- Reversing contactor monitoring
- Emergency contactor monitoring
- Lifting direction display via 2-colour LED (red / green)

## 4-way Electrical Hoist Chain Motor Controller

- For chain hoist up to 1kW
- Phase monitoring
- Rotation field monitoring
- Main contactor monitoring
- Reversing contactor monitoring
- Emergency contactor monitoring
- Lifting direction display via 2-colour LED (red / green)

# 1 Ton Manual Chain Block



## 1. Steel Formed Cases

- Both gear and hand chain wheel are protected by Hydraulic draw cases which is ideally shaped and rugged to be able to withstand external shocks.

## 2. Double Housing Protection

- Hand wheel and brake are designed as the protection to prevent wet and dirt.

## 3. Brake Mechanism

- No matter how heavy the load, the brake works instantly when operation stopped; the lining material is non-asbestos with long lifetime.

## 4. Dual Ratchet Pawls

- Dual Ratchet Pawls are applied for extra safety purpose. In case one ratchet pawl fails, the other still maintains its mechanical brake function.

## 5. Chain Guide/Load Sheave

- Ensure the load chain proper fitting the load sheave during operation and protect the load sheave from wet and dirt.

# CRANK STAND UP



- **Crank Stand Specs:**

Adjustable Height: 4M

Weight: 210 lbs

Load-bearing: 2TON (per stand)

Thickness: 2.5mm

Pipe diameter: 120/100/80/60mm

Packing Size: 2000 x 540 x 420mm

Base: 2130mm

# Petzel Aveo Full Body Harness



## • Specifications

Ventral attachment point: Attachment for a descender, a positioning lanyard in single mode, a work seat on the ventral D ring; attachment for a lanyard with a RING OPEN to the textile connection point.

Lateral attachment points: Attachment for a positioning lanyard for use in double mode.

Sternal attachment point: Attachment for a fall-arrest system.

Dorsal attachment point: Attachment for a fall-arrest system.

Rear attachment point on the waistbelt: Attachment for a restraint lanyard.

Certification(s): CE EN 361, EN 813, EN 358

Material(s): Nylon, polyester, aluminum, steel.

Size	0	1	2
Waist Belt	65-80 cm	70-93 cm	83-120 cm
Leg Loops	44-59 cm	47-62 cm	50-65 cm
Stature	160-180 cm	165-185 cm	175-200 cm
Weight	1720 g	1760 g	1860 g

# RIGGING ACCESSORIES



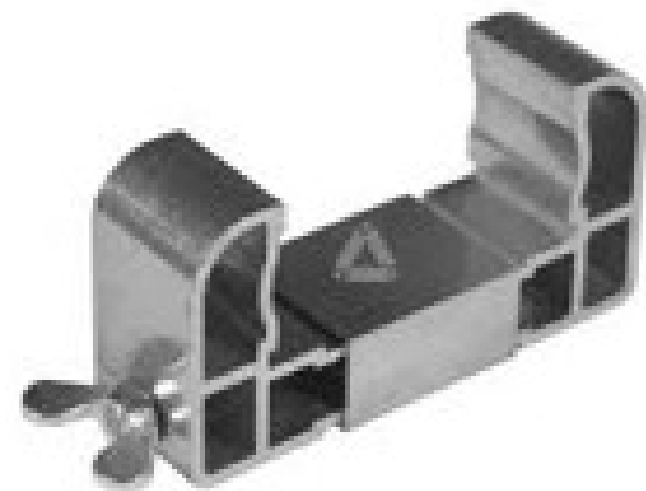
# RIGGING ACCESSORIES



# PROLITE STAGE DUCK 1.2 X1.2



- Aluminum Stage Design Drawing Entertainment Stage Portable Event Stage □ Portable stage, aluminum alloy structure, using the simplest structure, adjustable legs, with conventional adjustable heights of 0.4-0.6m, 0.6-1m, 0.8-1.m and can also be made into fixed heights. The conventional size of the stage board is 1.22 \* 1.22 meters usually made of waterproof and anti slip 18mm thick plywood. The advantage of the 1.22 \* 1.22 stage is that it can be flexibly assembled into various sizes of stages The advantage of a 1.22 \* 2.44m stage is that the price is relatively affordable, and the height can be customized according to customer requirements. In addition, transparent tempered glass and acrylic stage panels, as well as circular and other shaped stages, can also be customized.



# MOJO BARRICADE



# POWER DB 400AMB WITH POWER LOCK SYSTEM



- Power Box Rack Standard 250Amp 3pH+N+E 400V  
19" RACK FLIGHTCASE 15U - Energy on wheels
- Professional standard 19" rack case, 15U height, made of 10mm thick plywood with black scratch-resistant outer foil.
  - 2 front / rear covers.
  - 8 handles with rubber grips
  - 8 butterfly closures
  - 8 rounded corners
  - 4 wheels Ø 100 mm in rubber (2 with brake) mounted on skate.
  - 2 component-holder panels (front/rear) in PVC-CAW black color 10mm thickness (V0-UL 94) with sealing gaskets.
  - Dimensions: W535 x H1070 x D820mm. about (included lids).
  - Weight: 90kg. about (equipped).

125 A POWER DISTRO



32A FOH power distro

63A POWER DISTRO



# SOCAPEX CABLES



**Socapex** is a mains power cable and connector range which is popular in the entertainment industry as the cables are capable of carrying 6 separate power circuits each rated at 16 Amps, 240 volts AC.

Socapex is a brand name from Amphenol Socapex the original manufacturer of the connectors. Socapex cables and connectors can be seen in every day us at Theatres and performance Stages, Film & TV sets and outside broadcasts. Using socapex cables is one of the fastest and safest ways of quickly providing upto 6 mains power circuits but just using one cable, saving the need for 6 individual cables.

# 400 AMP Power Lock Cables



240mm single-core HO7RN-F cable terminated with powerlock ends (source and drain) or lugged ends to make connections to standby or permanent generators.



# POWER ACCESSORIES

Heavy Duty Rubber Cable Protector Ramp - 5Channel



Heavy Duty Rubber Cable Protector Ramp - 2Channel



Heavy Duty Rubber Cable Protector Ramp - 3Channel



The logo for Apex Events is centered on the left side of the image. It consists of a white circle with a thick yellow border, which is itself inside a larger white circle with a thick grey border. The text 'APEX' is written in a bold, black, sans-serif font above 'EVENTS', which is in a similar font. A small orange square is positioned between the 'P' and 'E' in 'APEX'.

**APEX  
EVENTS**

**thank  
you**

Zone 54, Al Waab Street NO: 625, Building NO: 120  
Office NO: F05 & F06 Sport Accelerator, Aspire Zone

M: +974 3383 4548, +974 77716660, T : +974 4412 0030, F : +974 4412 0330

events@apexqatar.com | www.apexqatar.com

# POWER DB 400AMB WITH POWE LOCK SYSTEM



- Power Box Rack Standard 250Amp 3pH+N+E 400V  
19" RACK FLIGHTCASE 15U - Energy on wheels
- Professional standard 19" rack case, 15U height, made of 10mm thick plywood with black scratch-resistant outer foil.
  - 2 front / rear covers.
  - 8 handles with rubber grips
  - 8 butterfly closures
  - 8 rounded corners
  - 4 wheels Ø 100 mm in rubber (2 with brake) mounted on skate.
  - 2 component-holder panels (front/rear) in PVC-CAW black color 10mm thickness (V0-UL 94) with sealing gaskets.
  - Dimensions: W535 x H1070 x D820mm. about (included lids).
  - Weight: 90kg. about (equipped).